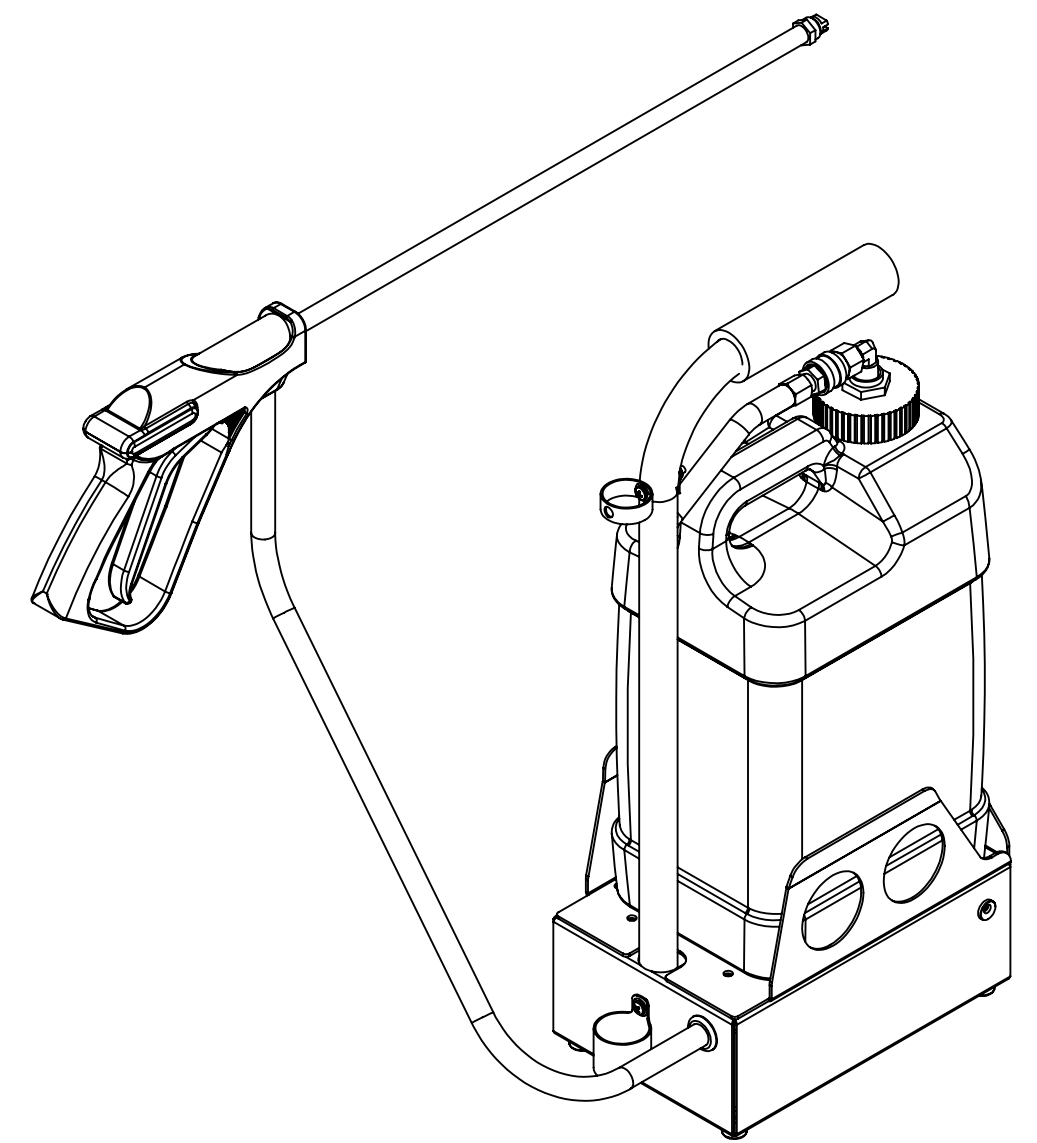


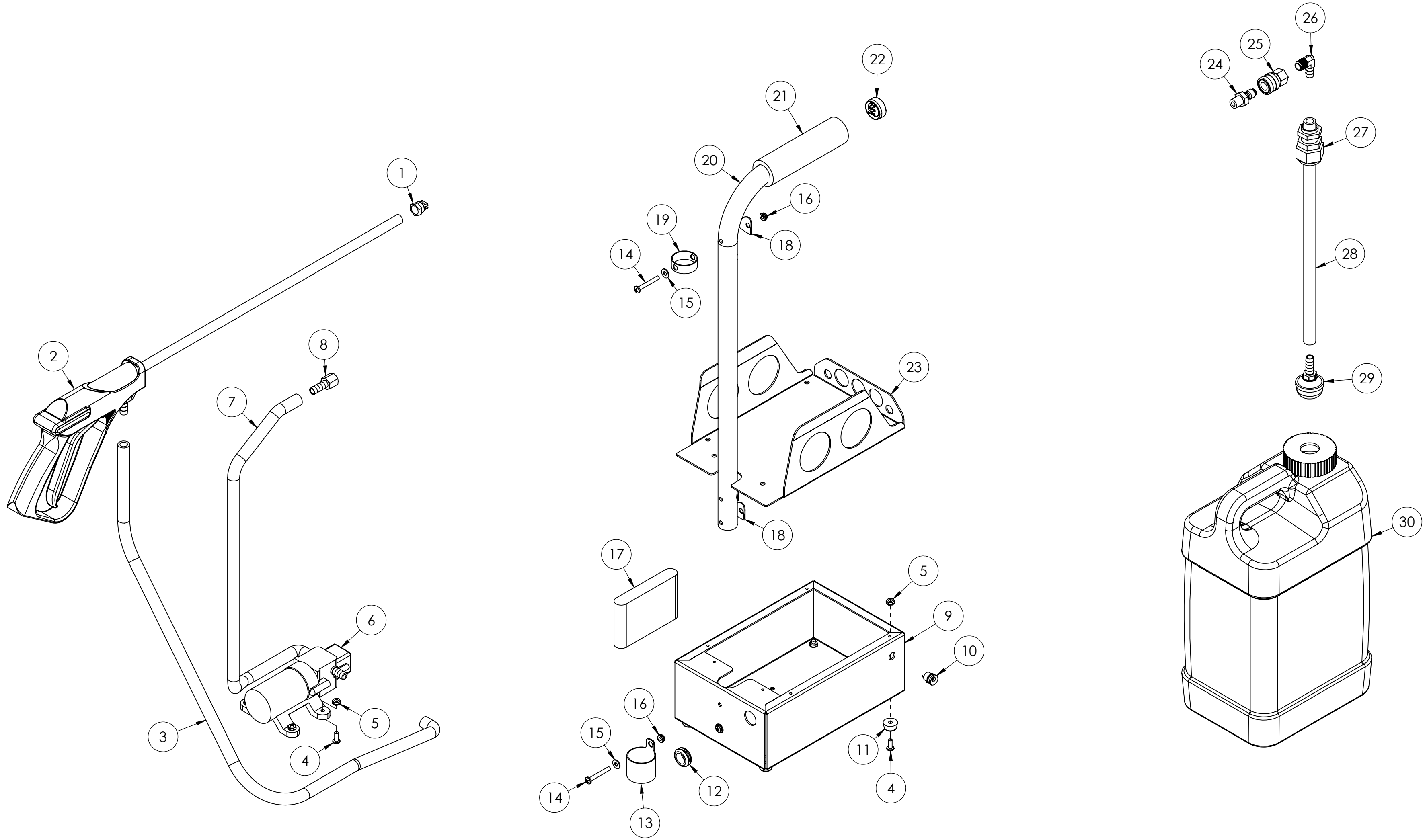
ITEM NO.	PART NO.	DESCRIPTION	QTY.
1	B-010	jet	1
2	65-007	gun, high pressure, w/lance	1
3	AH-001-60	pump-gun output hose	1
4	H-003	10/32 x 1/2" screw	8
5	H-017	10/32 kep nut	8
6	C-004	pump, 90psi	1
7	AH-005-28	sol hose, 3/8" x 28"	1
8	B-006	barbed hose fitting	1
9	42-013	Gentoo base	1
10	E-018	DC charging input	1
11	G-010	bumper foot	4
12	G-009	grommet, rubber, 3/4" ID x 1-5/8" OD	1
13	M-003	retainer cup	1
14	H-012	screw, 10/32 x 1-1/2"	3
15	H-019	washer #10 black	3
16	H-025	10/32 lock nut	3
17	E-019	lithium ion battery	1
18	H-018	steel curved washer	3
19	M-002	retainer ring	1
20	42-012	Gentoo handle	1
21	G-004	foam grip	1
22	E-023	push button switch w/harness	1
23	42-014	Gentoo cover	1
24	B-001	male QD	1
25	B-004	qd, brass, 1/4" fqd x fpt	1
26	B-007	90 deg brass fitting	1
27	H172	3/4" fitting, strain relief, cord	1
28	AH-001-16	dip tube hose, 16"	1
29	H-005	filter, strainer, 1/4", w/barb	1
30	21-004	2.5 gal bottle, w/ caps	1



	NAME	DATE	STAINOUT System Inc.		
DRAWN	V. LaBarbera	2/2022	760-644-8714		
CHECKED			TITLE:		
PROPRIETARY AND CONFIDENTIAL THE INFORMATION CONTAINED IN THIS DRAWING IS THE SOLE PROPERTY OF STAINOUT SYSTEM INC. ANY REPRODUCTION IN PART OR AS A WHOLE WITHOUT THE WRITTEN PERMISSION OF STAINOUT SYSTEM INC. IS PROHIBITED.			Battery Sprayer		
			SIZE	DWG. NO.	REV
			C	Gentoo	OD
			SCALE: 1:50	DO NOT SCALE DRAWING	SHEET 1 OF 2

8 7 6 5 4 3 2 1

F
E
D
C
B
A



	NAME	DATE	STAINOUT System Inc.	
DRAWN	V. LaBarbera	2/2022	760-224-9352	
CHECKED			TITLE:	
PROPRIETARY AND CONFIDENTIAL THE INFORMATION CONTAINED IN THIS DRAWING IS THE SOLE PROPERTY OF STAINOUT SYSTEM INC. ANY REPRODUCTION IN PART OR AS A WHOLE WITHOUT THE WRITTEN PERMISSION OF STAINOUT SYSTEM INC. IS PROHIBITED.			<h1>Battery Sprayer</h1>	
			SIZE DWG. NO. REV C Gentoo OD	SCALE: 1:50 <small>DO NOT SCALE DRAWING</small>

8 7 6 5 4 3 2 1

F
E
D
C
B
A