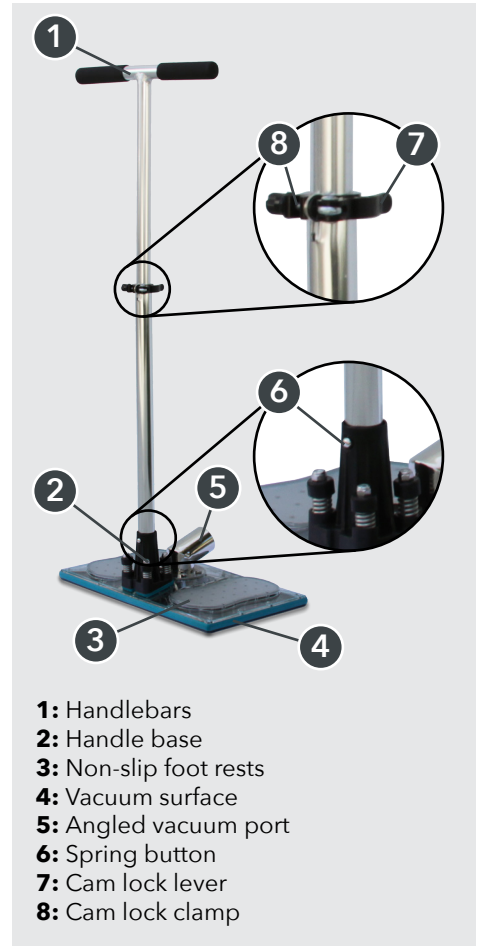


## Introduction

Congratulations on your purchase of the SOS PRO from StainOut System. The SOS PRO is designed for and by the pros. From its sleek design to its durable components, everything on this tool has been thought out and built with quality in mind.

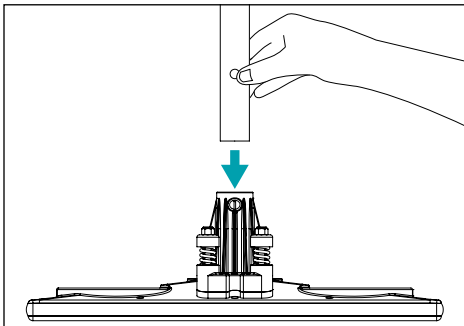
## FAQs

- Q:** How much does the SOS PRO weigh?  
**A:** The SOS PRO tool weighs 9 lbs.
- Q:** To what height does the handle extend?  
**A:** The handle height is adjustable between 24" - 38" from the ground.
- Q:** What are the dimensions of the extracting surface?  
**A:** The extracting surface is 16.5" x 9.5".
- Q:** What size hose cuffs are compatible with the SOS PRO?  
**A:** The SOS PRO is compatible with 1.5" or 2" hose cuffs.

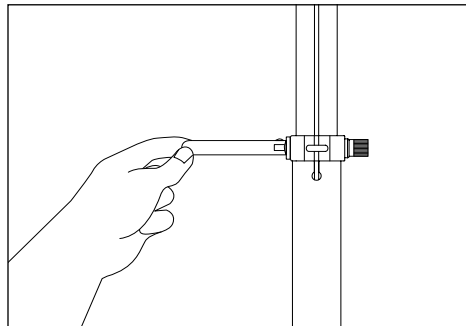


- 1: Handlebars
- 2: Handle base
- 3: Non-slip foot rests
- 4: Vacuum surface
- 5: Angled vacuum port
- 6: Spring button
- 7: Cam lock lever
- 8: Cam lock clamp

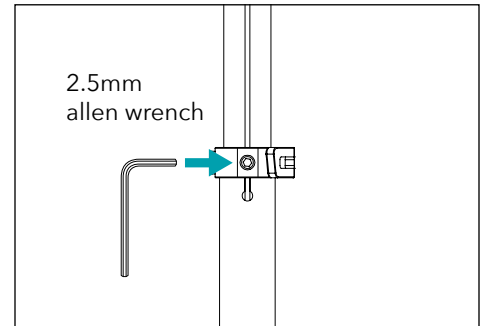
## Assembling the SOS PRO



**1.** Press in the spring button and slide the handle into the handle base. Make sure the spring button lines up with the hole. It will snap into place. **NOTE:** The handle may fit tightly on the first installation but it will loosen up over time.

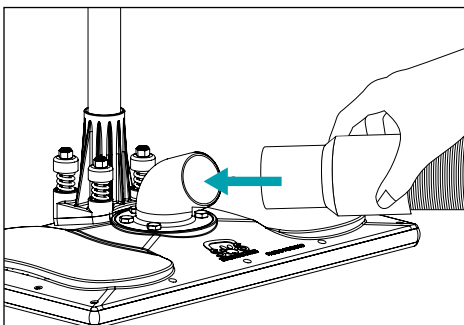


**2.** With the handle in place, pull the cam lock lever outward to loosen the clamp. Slide the handle up to desired height and press the lever back inward to tighten.

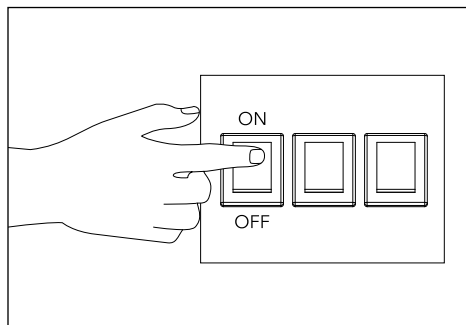


**OPTIONAL:** To permanently lock handle location, tighten set screw until it pierces inner handle tube.

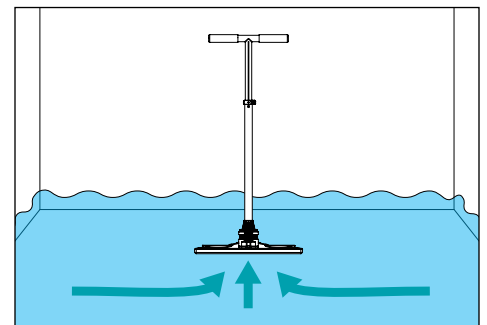
## Using the SOS PRO



**1.** Connect vacuum hose from a portable or truck-mounted extractor. 2" cuffs will slide over the vacuum port and 1.5" cuffs will slide inside.



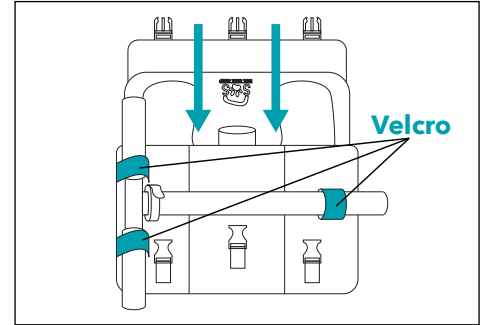
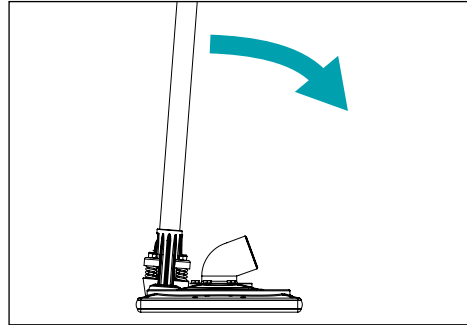
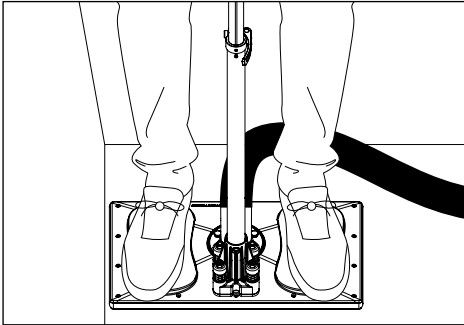
**2.** Turn the extractor ON.



**3.** If there is standing water, place the SOS PRO in the center of the room to remove the standing water down to the carpet level.

Continued on other side. →

## Using the SOS PRO (cont.)



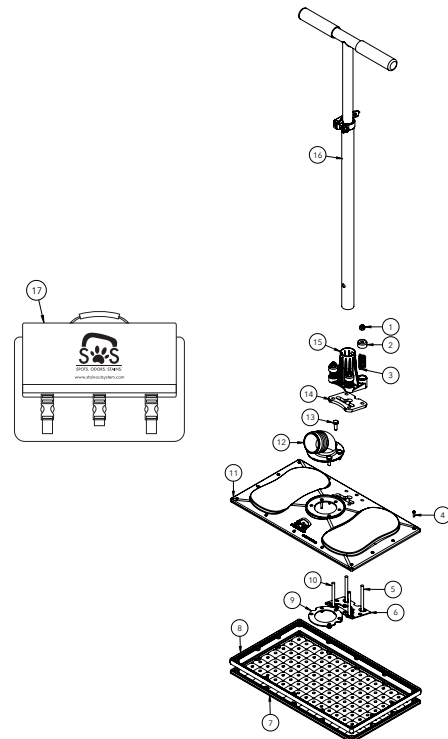
**4.** Place the SOS PRO in a starting point, usually a corner in the room and stand on it for about 5-30 seconds to extract water from the carpet and pad.

**5.** When you are ready to move to a new position, pull the handle back to release suction. Move the SOS PRO to a position that is directly adjacent to, but not overlapping, the previous extraction position.

**6.** After you have covered the entire extraction area, test the carpet to see if further extraction is required. When you are finished using the SOS PRO, store it in the included travel bag as shown above.

## Parts List

Item #	Part #	Description	Qty.
1	41-001	nut, lock, 1/4-20, nylon insert, s/s	4
2	21-003	spring cap, large	4
3	42-004	spring	4
4	41-005	screw, 6-32 x 1/2" phil pan head, s/s	14
5	41-003	carriage bolt, 1/4-20 x 3", s/s	2
6	42-003	yoke flange plate, large	1
7	21-002	bottom, large	1
8	22-001	seal, large	1
9	42-001	vac flange plate, large	1
10	41-006	carriage bolt, 1/4-20 x 2-3/4", s/s	2
11	21-001	top, large	1
12	42-002	vac tube, large	1
13	41-004	bolt, 1/4-20 x 3/4" hex head, s/s	5
14	22-002	vent gasket, large	1
15	21-004	yoke, large	1
16	42-005	handle	1
17	14-001	travel bag	1



## Limited Warranty

The SOS PRO has been designed for and by the pros to give you years of superior performance. StainOut System warrants the SOS PRO to be free from defects in material or workmanship for one year from the original date of purchase.

During the one-year warranty period, StainOut System will, at its discretion, repair or replace components which prove to be defective. The replacement of complete units due to defective components is not covered under this warranty. Costs for transportation or related service labor are not covered by this warranty. Parts and components which have been replaced are warranted only for the remainder of the original warranty period.

Defects resulting from misuse, abuse, lack of maintenance, unauthorized modification, chemical incompatibility, or exposure to freezing temperature conditions are not covered under this warranty. This warranty does not apply to wear parts and components which require replacement as a result of ordinary usage.

If you are in need of warranty service for the SOS PRO, contact your local distributor or StainOut System. If the tool must be returned to StainOut System or an authorized service center, the purchaser will be responsible for all shipping charges for the products returned for warranty service. No returned items will be accepted by StainOut System without prior authorization from StainOut System.

StainOut System makes no other warranty, either expressed or implied, with respect to this product. StainOut System is not liable for any direct, indirect, special, incidental or consequential damages.